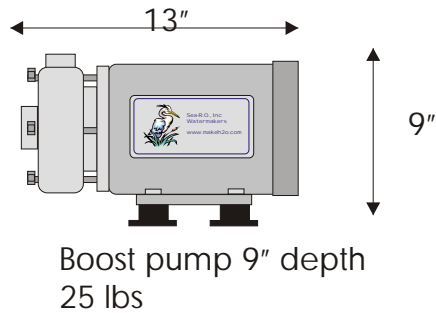
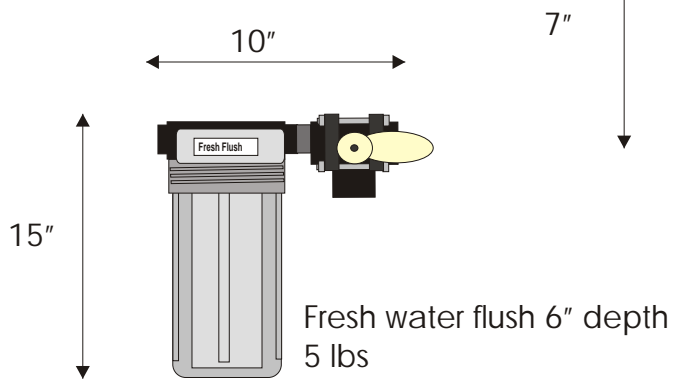
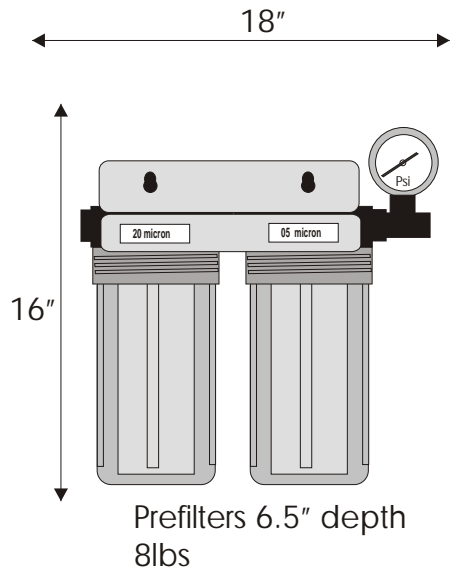
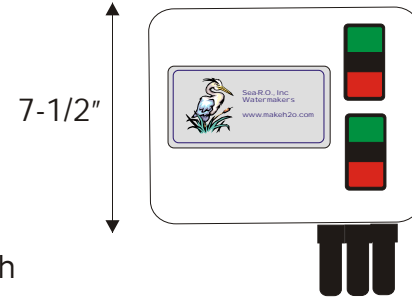


# Sea - R.O., Inc. Nautilus 500 Dimensions And Weights

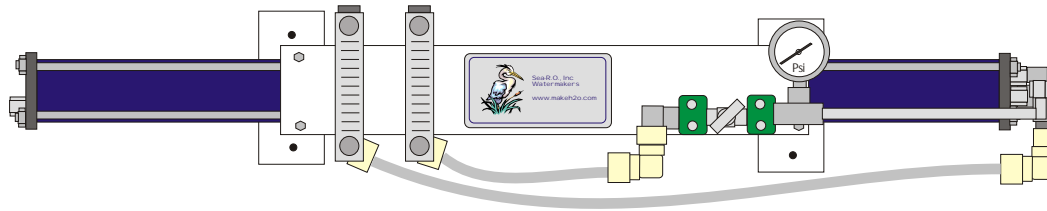


System control 8" depth  
10 lbs



Pressure vessel assembly 7" depth  
20 lbs

47-1/2"



High pressure pump and motor 10" depth  
65 lbs

22"

