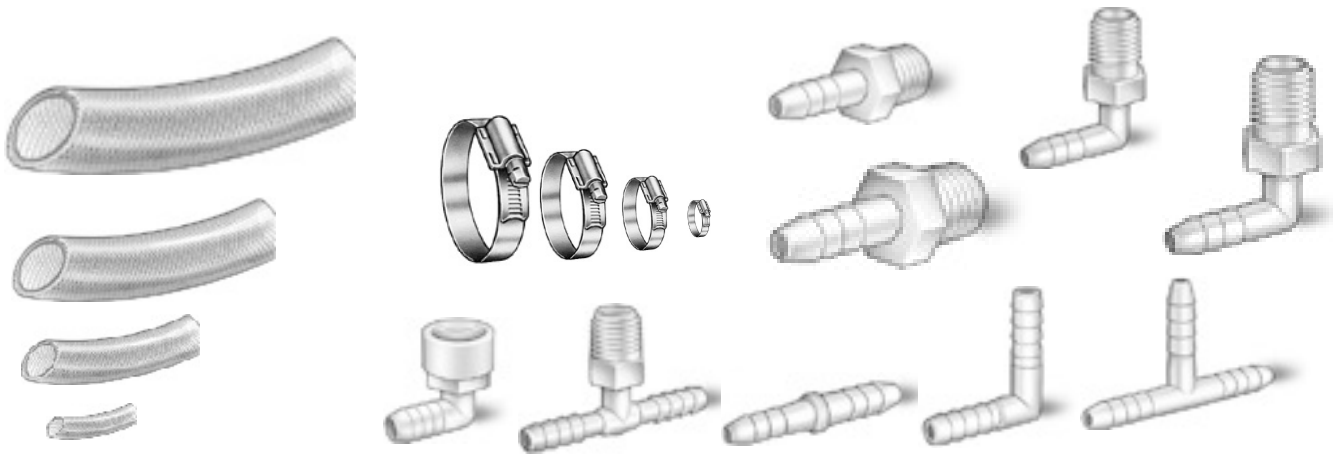




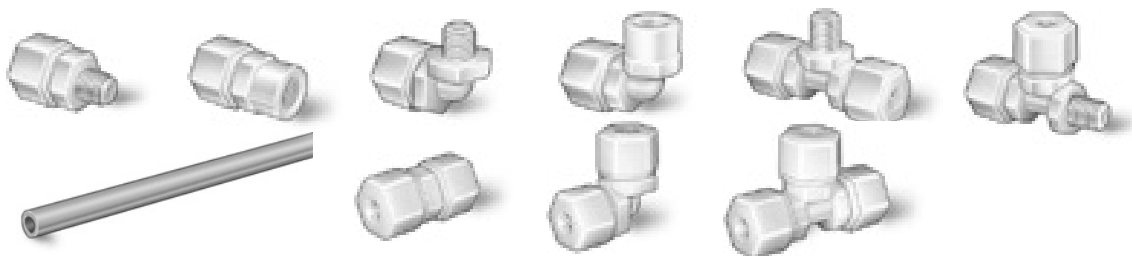
Sea-R.O., Inc. Watermakers Nylon fittings Hose, tubing, and clamps



Sea-R.O. Stocks a complete inventory of nylon hose fittings, Heavy-duty reinforced FDA approved PVC hose, and 316 Stainless Steel hose clamps.

Hose is cut to whatever length you need and fittings and clamps are sold individually.

We will send you exactly what you need to permit you to install the equipment correctly.



Sea-R.O. Also stocks a complete supply of Fast and Tite fittings for tubing. These fittings are normally used on the product water plumbing. Unique fitting with positive o-ring seal can be hand tightened and are great in close quarters. These fittings are also easy to loosen and remove for any component servicing and can be re-used over and over again.

1/4" and 3/8" fittings in stock. Other sizes are also available.