

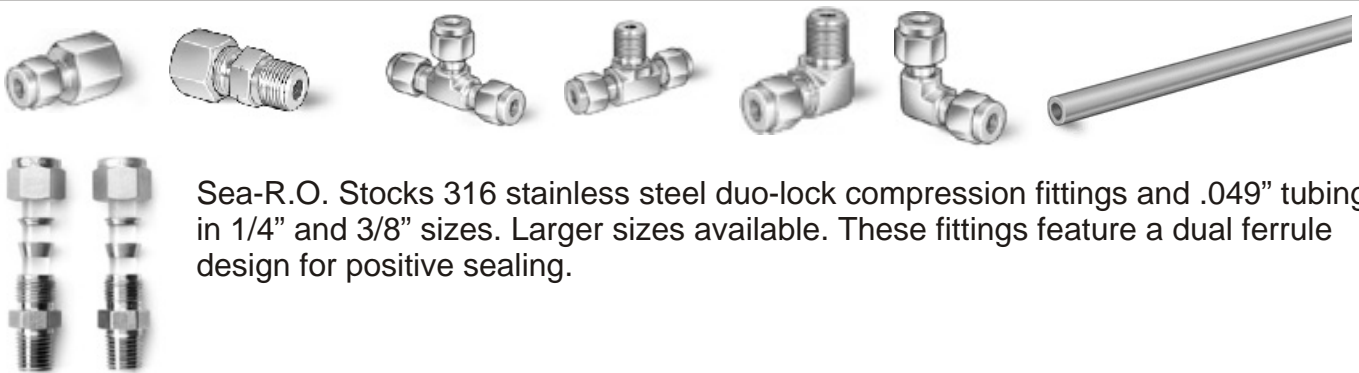


Sea-R.O., Inc. Watermakers 316 Stainless steel High pressure fittings



Sea-R.O. Stocks a complete selection of high quality precision 316 stainless steel fittings that are made in the USA. The quality and material of these fittings insure the longest possible life in seawater.

Available in 1/4" through 3/4" National Pipe Thread (NPT) sizes.



Sea-R.O. Stocks 316 stainless steel duo-lock compression fittings and .049" tubing in 1/4" and 3/8" sizes. Larger sizes available. These fittings feature a dual ferrule design for positive sealing.



Sea-R.O. stocks Aeroquip brand hose which is wire braid reinforced and is used with our reusable 316 stainless steel hose ends. Industry standard fittings are 37 degree JIC flare. Hose is type approved by Det Norske Veritas for ships and mobile offshore units.