



All Stainless Steel Gauges for corrosive service
 Features Include:
 304SS polished case
 Impact resistant crystal clear Trogomide lens
 316SS Bourdon tube
 2.5" gauges have 1/4" MNPT connection
 4.0" gauges have 1/2" MNPT connection
 All stainless steel movement with highly polished bearing surfaces
 Safety relief disc
 Accuracy +/- 1.5% for 2.5" gauges, +/- 1% fo 4.0"
 Glycerine filled for pulsation dampening

SEE GAUGE DIMENSIONS ON FOLLOWING PAGES
 OTHER PRESSURE RANGES ARE AVAILABLE

Description	Pressure Range	Model #
Gauge, 2.5" bottom mount	0-60 psi	25-500-60
Gauge, 2.5" bottom mount	0-100 psi	25-500-100
Gauge, 2.5" bottom mount	0-400 psi	25-500-400
Gauge, 2.5" bottom mount	0-1500 psi	25-500-1500
Gauge, 2.5" center back mount	0-60 psi	25-510-60
Gauge, 2.5" center back mount	0-100 psi	25-510-100
Gauge, 2.5" center back mount	0-400 psi	25-510-400
Gauge, 2.5" center back mount	0-1500 psi	25-510-1500
Back mount bracket for 2.5" gauge CBM	ALL	
Gauge, 4.0" bottom mount	0-100 psi	40-500-100
Gauge, 4.0" bottom mount	0-1500 psi	40-500-1500



Sea-R.O.
WATERMAKERS

MAKING WATER BETTER, MAKING BETTER WATER

SEA-R.O., WATERMAKERS TEL: 954-527-5282 FAX: 954-462-7183

www.makeh2o.com



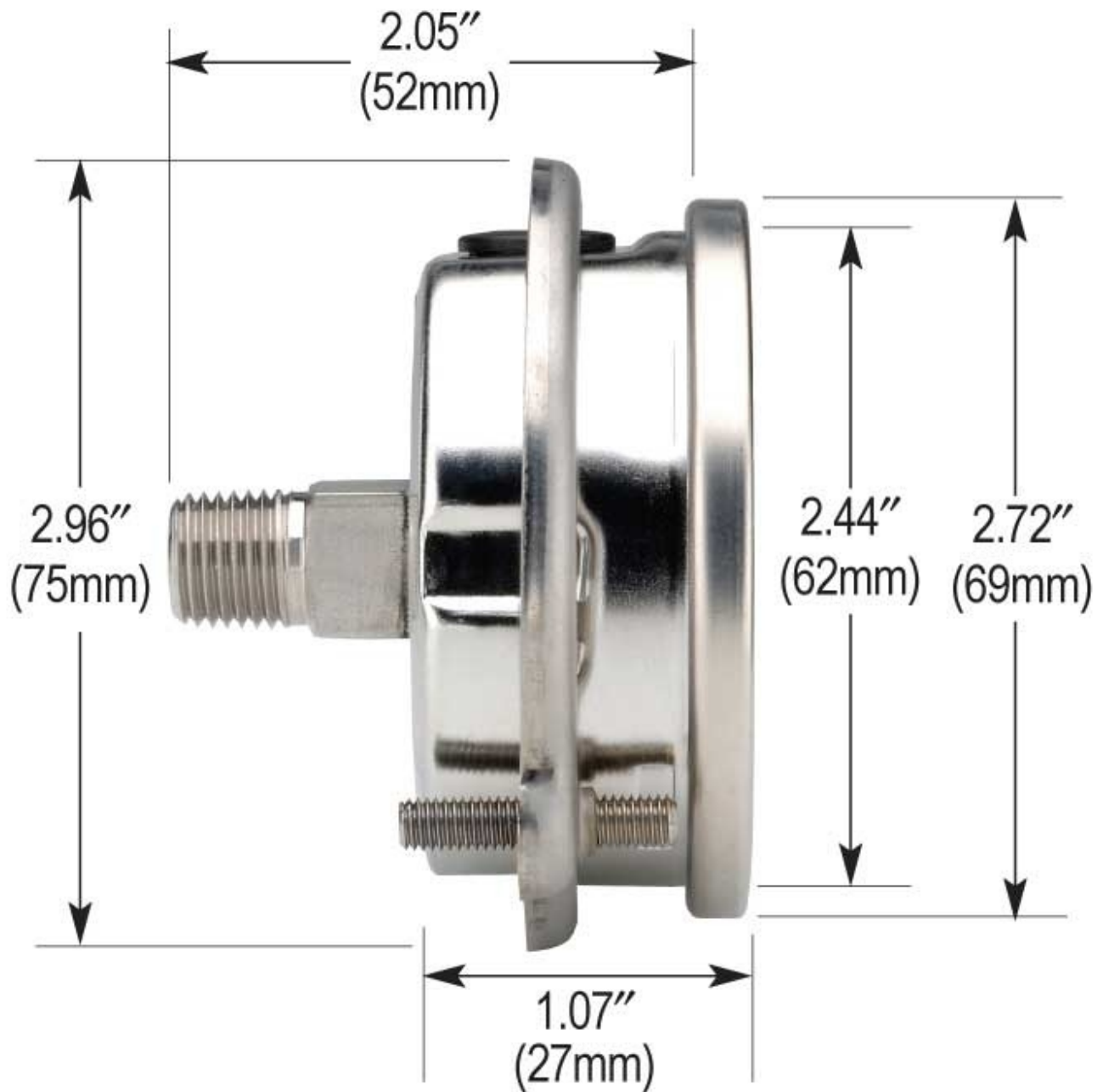


Sea-R.O.
WATERMAKERS

MAKING WATER BETTER, MAKING BETTER WATER

SEA-R.O., WATERMAKERS TEL: 954-527-5282 FAX: 954-462-7183

www.makeh2o.com





Sea-R.O.
WATERMAKERS

MAKING WATER BETTER, MAKING BETTER WATER

SEA-R.O., WATERMAKERS TEL: 954-527-5282 FAX: 954-462-7183

www.makeh2o.com

